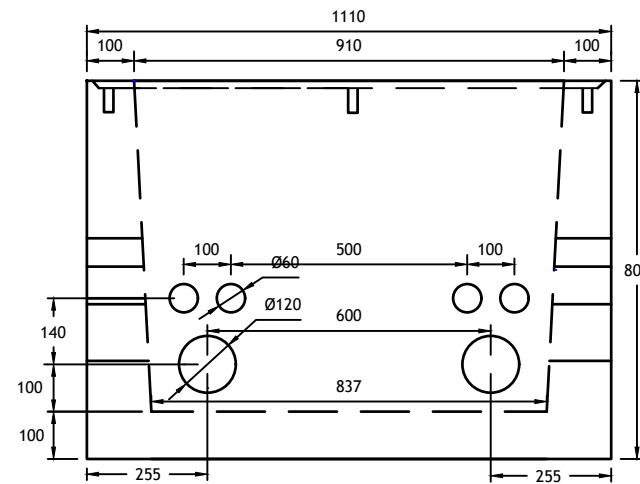
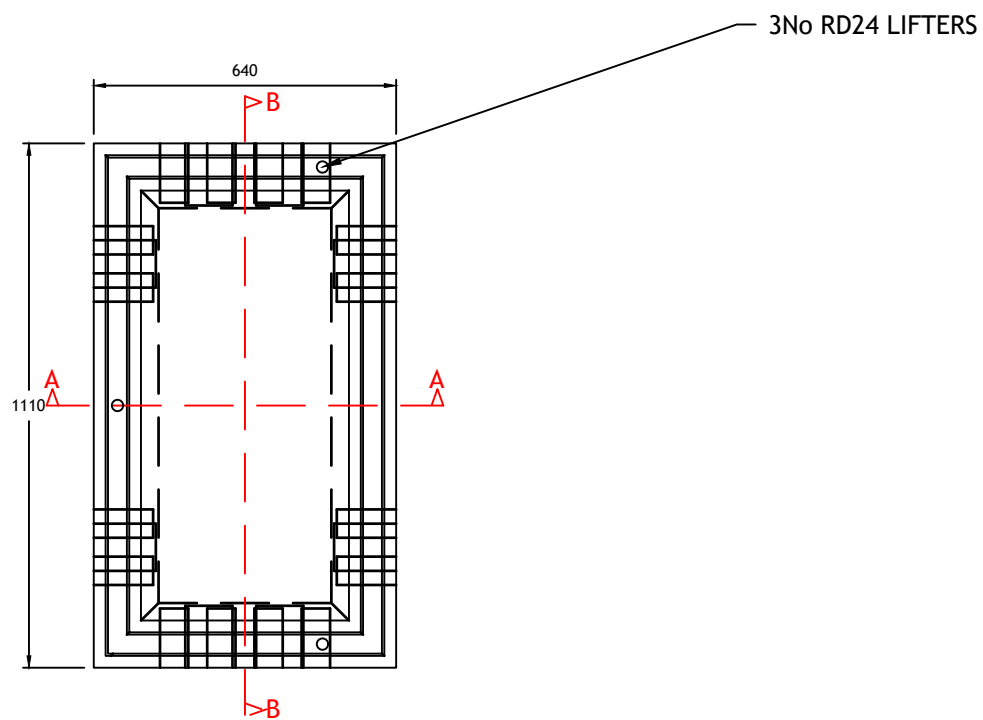


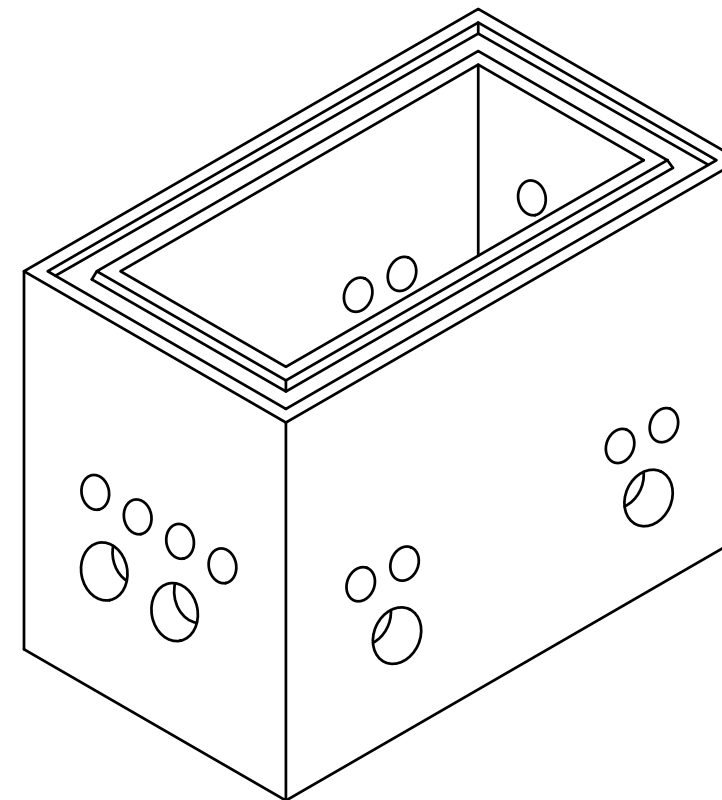
Section A - A



Section B - B



Plan



Notes:

1. All Dimensions are in millimeters.
2. Concrete;
  - Grade: C45/55
  - Exposure Class: DC3  
XC3/4  
XF4
3. Reinforcement Grade: B500B
4. Cover to Reinforcement: 40mm
5. Concrete Designed to:  
BS EN 1992-1-1:2004
6. Approx. Weight: 800Kg
7. Handling:  
3No Rd24 Threaded Lifting Sockets  
Recommend: Halfen Rd 24 Lifting Loop

REV:	DESCRIPTION:	BY:	DATE:



Old Rossorry, Sligo Rd, Enniskillen,  
Co. Fermanagh, BT74 7LF  
T: +44 (0)28 6632 6437; F: +44 (0)28 6632 4908  
headoffice@traceyconcrete.com

CLIENT:  
Tracey Concrete Ltd

PROJECT/SITE:  
Product Drawing

DRAWING TITLE:  
JB4 Junction Box

JOB NO:	ORDER NO:	DRAWING STATUS:
DATE: October 2022	DRAWN BY: SM	CHECKED BY: DM
SCALE: 1:16 @ A3	REVISION:	SHEET NO: