

1

2

3

4

5

6

7

8

A

B

C

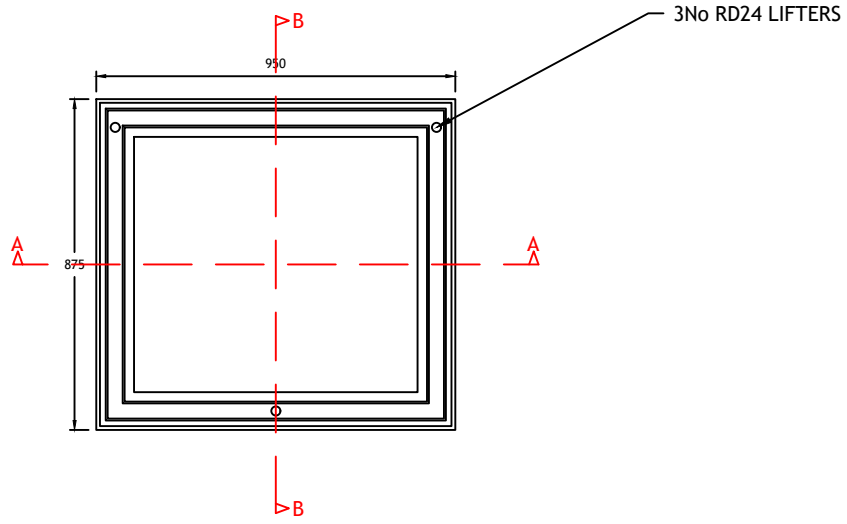
D

E

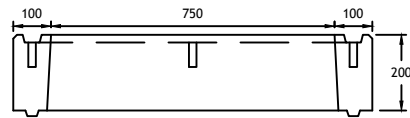
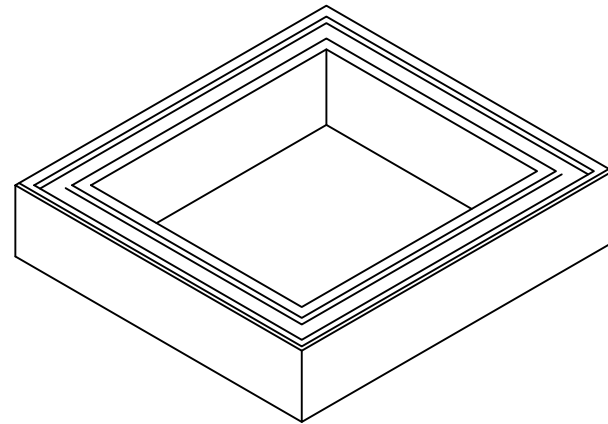
F

Notes:

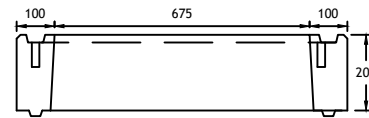
- 1. All Dimensions are in millimeters.
- 2. Concrete;
  - Grade: C45/55
  - Exposure Class: DC3  
XC3/4  
XF4
- 3. Reinforcement Grade: B500B
- 4. Cover to Reinforcement: 40mm
- 5. Concrete Designed to: BS EN 1992-1-1:2004
- 6. Approx. Weight: 160Kg
- 7. Handling: 3No Rd24 Threaded Lifting Sockets  
Recommend: Halfen Rd 24 Lifting Loop



PLAN VIEW



SECTION VIEW A - A



SECTION VIEW B - B

REV:	DESCRIPTION:	BY:	DATE:



Old Rossorry, Sligo Rd, Enniskillen,  
Co. Fermanagh, BT74 7LF  
T: +44 (0)28 6632 6437; F: +44 (0)28 6632 4908  
headoffice@traceyconcrete.com

CLIENT:  
Tracey Concrete Ltd

PROJECT/SITE:  
Product Drawing

DRAWING TITLE:  
Comms 2 Riser

JOB NO:	ORDER NO:	DRAWING STATUS:
DATE: October 2022	DRAWN BY: SM	CHECKED BY: DM
SCALE: 1:20 @ A3	REVISION:	SHEET NO:

1

2

3

4

5

6

7

8